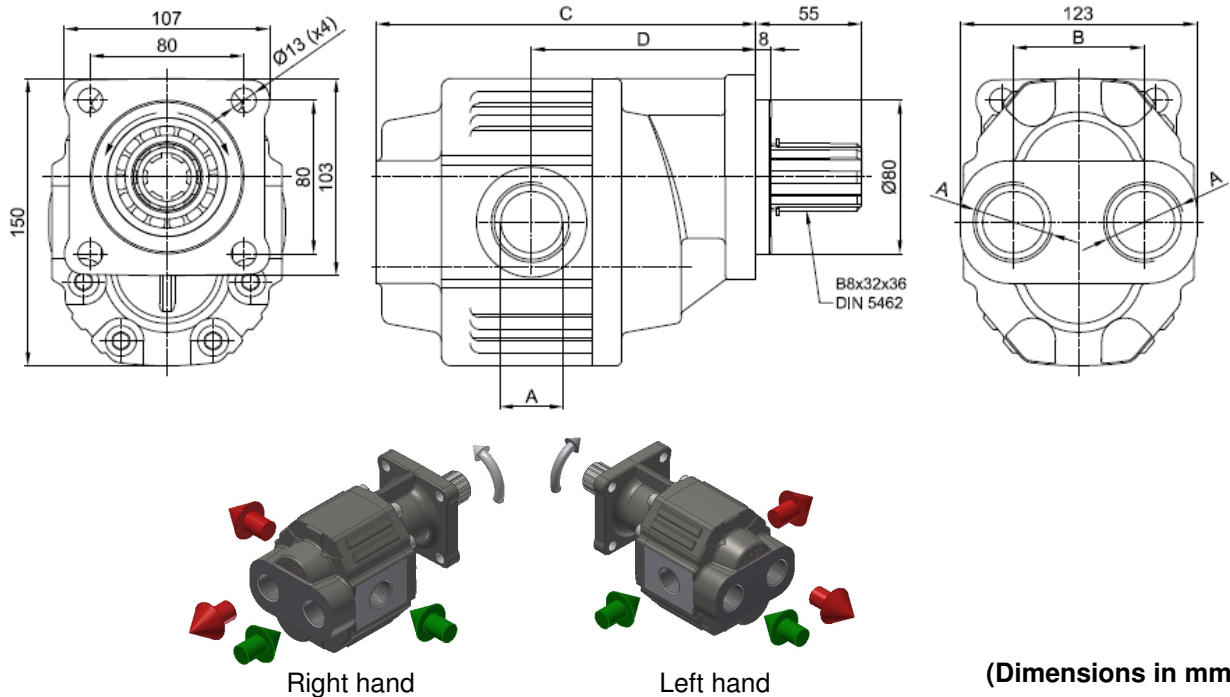


Main Dimensions



Main Data

Pumps B34GT	38	52	61	70	82	90	105	115	125	150
Cylinder capacity (cm ³ /rot.)	38	52	61	70	82	91	102	116	125	150
Rotation Máx. (rpm)	2800	2500	2000	2000	1800	1800	1800	1800	1800	1600
Operating pressure (bar)(up to)	280	280	260	250	250	250	250	250	240	210
Peak pressure (bar)	310	310	300	290	290	290	290	290	280	250
Weight (kg)	11.5	12.0	13.0	13.5	14.0	14.5	15.0	16.0	16.5	17.4
Sense of Rotation	Bidirectional									
A - Inlet (BSP) / Outlet (BSP)	3/4"	1"			1 1/4"			1 1/2"		
B	66				68					
C	171	179	185	191	198	204	213	219	226	242
D	105	111	117	120	123	127	130	132	135	143

How to order:

Example: Pump 82 cm³/rot, operating pressure up to 250 bar; peak pressure 290 bar, ref.B34GT, → B34GT82

Note: Usually, used in frontal cylinders

Fluids	mineral oils type ISO HM or DIN 51524-2 HLP
Operating viscosity range	10 to 100 cSt (mm ² /s) at working temperature
Máx operating limits viscosity	750 cSt
Filtration	>200bar = 10µm <200bar = 25 µm
In the application of any of these pumps; the use of these data does not exempt the reading of the instruction "Gear pumps recommendations before start-up".	

ABER is constantly engaged in improving its products and, therefore, reserves itself the right to modify without any further notice the characteristics shown



ABER - Embraagens e Comandos Hidráulicos - A. B. LDA

Rua Francisco de Almeida, Nº 30 – Vila Nova da Telha – 4470 MAIA - Portugal

Telephone: +351.22.9438070 Fax: +351.22.9420823 e-mail: aber@aber.pt <http://www.aber.pt>

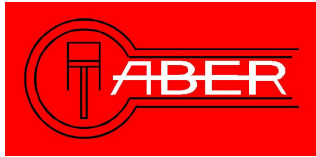


Diagram
Flow - Speed

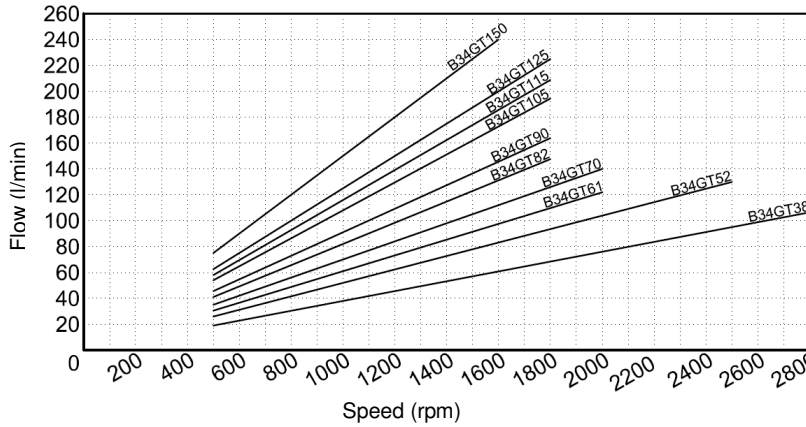
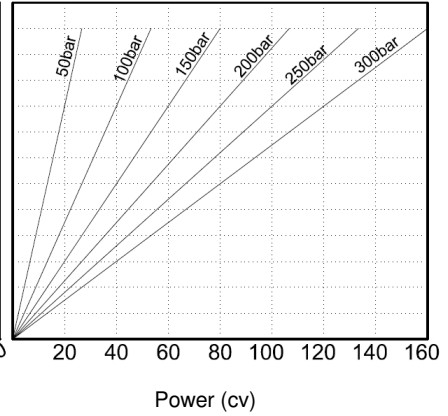


Diagram
Input Power - Flow - Pressure



Hose dimensions

Inlet Hose	
Flow (l/min)	Internal pipe diameter (inch)
30-40	1"1/4
50-60	1"1/2
70-90	1"3/4
100-120	2"
130-150	2"1/4
160-190	2"1/2
200-230	2"3/4
240-270	3"

Outlet Hose					
Flow (l/min)	Internal pipe diameter (inch)				
	30	1/2"	1/2"	1/2"	1/2"
40	5/8"	1/2"	1/2"	1/2"	
50	5/8"	5/8"	5/8"	1/2"	
60	3/4"	5/8"	5/8"	5/8"	
70	1"	3/4"	3/4"	5/8"	
80	1"	3/4"	3/4"	3/4"	
90	1"	1"	1"	3/4"	
100	1"	1"	1"	1"	
110	1"	1"	1"	1"	
120	1"	1"	1"	1"	
130	1"	1"	1"	1"	
140	1"1/4	1"	1"	1"	
150	1"1/4	1"	1"	1"	
160	1"1/4	1"1/4	1"	1"	
170	1"1/4	1"1/4	1"	1"	
180	1"1/4	1"1/4	1"1/4	1"	
190	1"1/4	1"1/4	1"1/4	1"	
200	1"1/2	1"1/4	1"1/4	1"1/4	
210	1"1/2	1"1/4	1"1/4	1"1/4	
220	1"1/2	1"1/4	1"1/4	1"1/4	
230	1"1/2	1"1/2	1"1/4	1"1/4	
240	1"1/2	1"1/2	1"1/4	1"1/4	
250	1"1/2	1"1/2	1"1/2	1"1/4	
		50-100	100-150	150-200	200-300
P (bar)					

Important notes:

- Other axis available, please consult "Axel options".

ABER is constantly engaged in improving its products and, therefore, reserves itself the right to modify without any further notice the characteristics shown



ABER - Embraiaçgens e Comandos Hidráulicos - A. B. LDA

Rua Francisco de Almeida, Nº 30 – Vila Nova da Telha – 4470 MAIA - Portugal

Telephone: +351.22.9438070 Fax: +351.22.9420823 e-mail: aber@aber.pt <http://www.aber.pt>